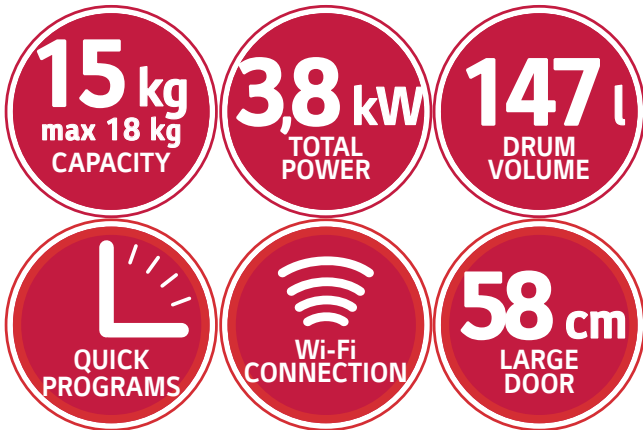


# LG Titan-C MAX

PROFESSIONAL WASHER



**Add-ons and accessories**  
- possible connection to:  
**BWO3 OZONE GENERATOR**  
**AUTOMATIC DOSING PUMPS**  
**PAYMENT SYSTEMS**

## **BIGGEST DRUM IN CLASS**

With the largest drum in its class, this is an ideal washing machine for those who don't need industrial machine, but want larger capacity.

## **LG DIRECT DRIVE MOTOR**

The motor is directly attached to the drum which increases stability and durability and reduces vibration and noise.

## **CUSTOMIZED CYCLES**

Owners can program of up to 20 fully customized washing programs

## **FLEXIBLE INSTALLATION**

LG professional tumble dryers have the option of being mounted on a washing machine or tumble dryer.

## **HYGIENE COURSE**

Remove 99.9% of the germs, with special programs 90°C and 75°C.

## **ESTIMATION OF LAUNDRY AMOUNT**

Washer adjusts the water level to the amount of linen, saving water and energy at less than full load

## **TUB CLEANING SYSTEM**

Dirty tub from hours of long operation can affect washing performance. Our tub cleaning program helps you keep a clean tub even in the busiest locations.

## **SELF-HEATING SYSTEM**

Washing machines have hot and cold water inlets where the heating system detects the water temperature and automatically adjusts the heating time. This saves time and reduces electricity consumption by up to 75%. Save time as heaters do not need time to heat cold water.

## **STAINLESS STEEL DRUM**

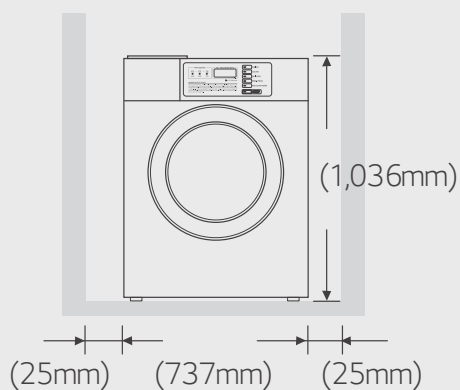
The stainless steel drum makes professional washing machines durable and long lasting.



## TECHNICAL FEATURES

<b>Capacity</b>	15 kg
<b>Max drum capacity</b>	18 kg
<b>Drum volume</b>	147 lit.
<b>Preset programs</b>	90°C / 75°C / 60°C / 30°C or 40°C / Cold
<b>Number of additional programs</b>	20
<b>Heater on/off flexibility</b>	Yes
<b>Program duration (60°C)</b>	59 min
<b>Total power</b>	3,8 kW
<b>Electric ratings</b>	220-240V / 50Hz
<b>Extract (high speed) rpm</b>	1000
<b>G-force</b>	342
<b>Noise level</b>	< 60 dB
<b>Drain pump</b>	Yes
<b>Net weight</b>	101 kg
<b>Gross weight</b>	112,5 kg
<b>Dimensions - product</b>	737 x 814 x 1036 mm
<b>Dimensions - carton</b>	788 x 846 x 1125 mm

FRONT



SIDE

