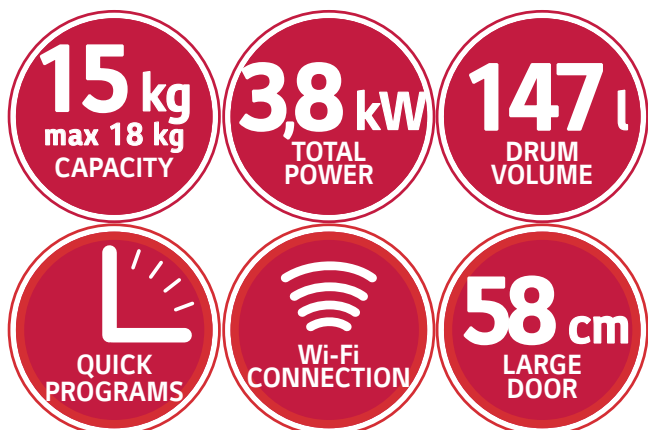


LG Titan-C MAX

PROFESSIONAL WASHER



Add-ons and accessories
- possible connection to:
BWO3 OZONE GENERATOR
AUTOMATIC DOSING PUMPS
PAYMENT SYSTEMS

BIGGEST DRUM IN CLASS

With the largest drum in its class, this is an ideal washing machine for those who don't need industrial machine, but want larger capacity.

LG DIRECT DRIVE MOTOR

The motor is directly attached to the drum which increases stability and durability and reduces vibration and noise.

CUSTOMIZED CYCLES

Owners can program of up to 20 fully customized washing programs

FLEXIBLE INSTALLATION

LG professional tumble dryers have the option of being mounted on a washing machine or tumble dryer.

HYGIENE COURSE

Remove 99.9% of the germs, with special programs 90°C and 75°C.

ESTIMATION OF LAUNDRY AMOUNT

Washer adjusts the water level to the amount of linen, saving water and energy at less than full load

TUB CLEANING SYSTEM

Dirty tub from hours of long operation can affect washing performance. Our tub cleaning program helps you keep a clean tub even in the busiest locations.

SELF-HEATING SYSTEM

Washing machines have hot and cold water inlets where the heating system detects the water temperature and automatically adjusts the heating time. This saves time and reduces electricity consumption by up to 75%. Save time as heaters do not need time to heat cold water.

STAINLESS STEEL DRUM

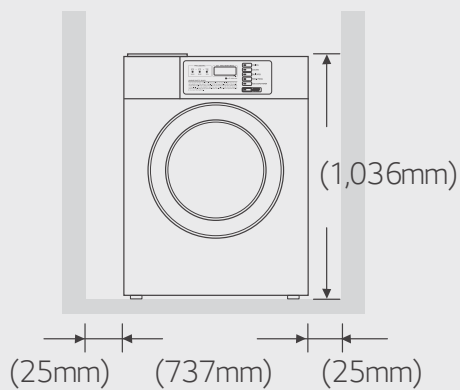
The stainless steel drum makes professional washing machines durable and long lasting.



TECHNICAL FEATURES

Capacity	15 kg
Max drum capacity	18 kg
Drum volume	147 lit.
Preset programs	90°C / 75°C / 60°C / 30°C or 40°C / Cold
Number of additional programs	20
Heater on/off flexibility	Yes
Program duration (60°C)	59 min
Total power	3,8 kW
Electric ratings	220-240V / 50Hz
Extract (high speed) rpm	1000
G-force	342
Noise level	< 60 dB
Drain pump	Yes
Net weight	101 kg
Gross weight	112,5 kg
Dimensions - product	737 x 814 x 1036 mm
Dimensions - carton	788 x 846 x 1125 mm

FRONT



SIDE

